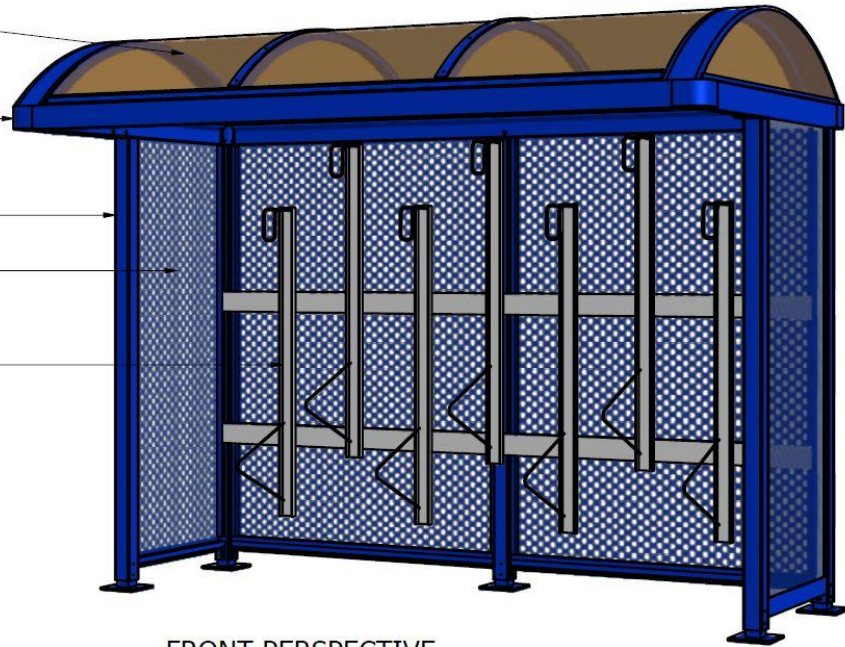




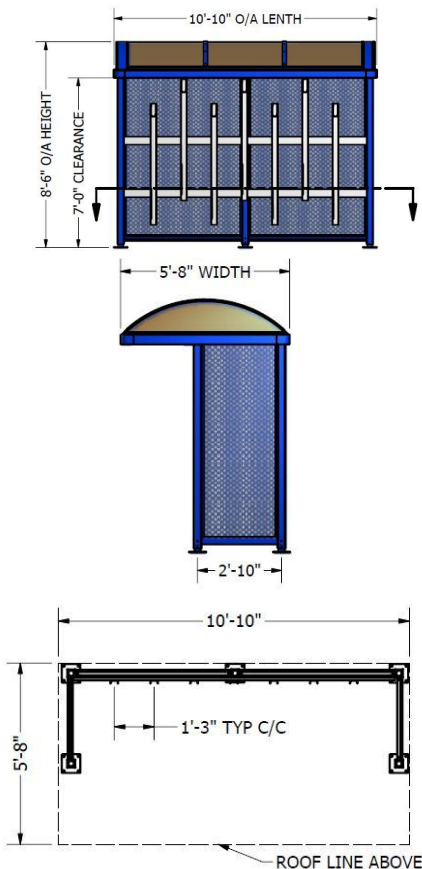
# Covered Bike Parking Systems

## Model: BC-300

- 6MM BRONZE THERMOCLEAR LEXAN ROOF PANELS
- ALUMINUM ROOF PERIMETER
- ALUMINUM POST
- 16 GAGE STEEL PERFORATED SCREEN
- STAGGERED BIKE RACK (7X)



FRONT PERSPECTIVE



The Bike Hut covered parking systems are manufactured from recycled materials. Starting price as low as \$650 per bike. The Bike Hut covered parking system is modular and additional five foot (5') panels can be added to increase the Bike Hut size and bicycle parking capacity. The standard design supports vertical parking for 7 bicycles.

### Bike Hut Features

Complete modular system with small footprint for integration into transit hubs, parking spaces, and sidewalks. Systems can be ordered with solar powered lighting, other street furniture such as benches and recycling bins and advertising signage for revenue generation. The systems are easy to install with virtually little infrastructure improvements required. Manufactured in the USA (buy America compliant) from recycled materials such as aluminum with glass siding option.

### Easy integration into BikeConnect's Software Platform

Web-based interface for managing bike assets. Includes the following basic features:

- GIS-based displaying covered bike parking locations to the general public
- Facility Assignment
- Bike Route planning and route management
- Messaging system for communicating with administrator and/or receiving alerts

### Administrator Features

- Bike asset management integration
- Messaging system for communication with cyclists

Contact BikeConnect for pricing.

